



**BIG MOUTH SIGNS**  
"We Help Your Business Get Noticed"

40 Rockbridge Rd, Suite 200,  
Lilburn, GA 30047  
☎ 770-381-9300 🌐 BigMouthSigns.com

DESIGNER: Jaynie Heart  
EMAIL: jaynie@bigmouthsigns.com  
PROJECT MANAGER: Austin Robb  
EMAIL: austin@bigmouthsigns.com

**Description:**  
Channel letters with acrylic letters, on a pan sign.

Unlit Pan Sign with dimensional letters.

**Note:**  
The enclosed images and layout are the exclusive property of big mouth signs and can not be reproduced, Distributed or Altered in any way without the express permission of Big Mouth Signs under the penalty of intellectual property rights agreement.

The colors listed and shown here are representations of Pantone matching system. Colors will vary between devices and printers. Use a Pantone color book to view the actual colors that are represented in this document.

**Proof Approval**

- Approved (OK as is)**
- Editing Needed**

X

---



---

**No production will begin without a signed and dated copy of this document**

MOCKUP



FRONT VIEW



PERSPECTIVE



DETAIL



FACE COLORS:

- PANTONE 711 C
- CMYK 1/1/9/0

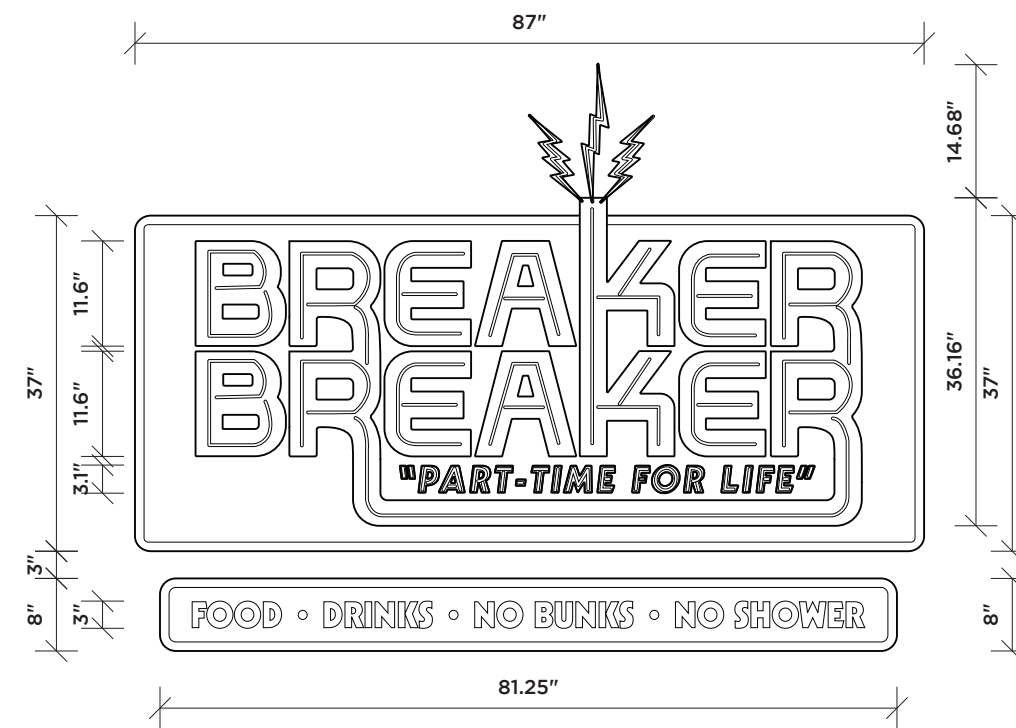
ACRYLIC COLORS:

- YELLOW
- PANTONE 711 C

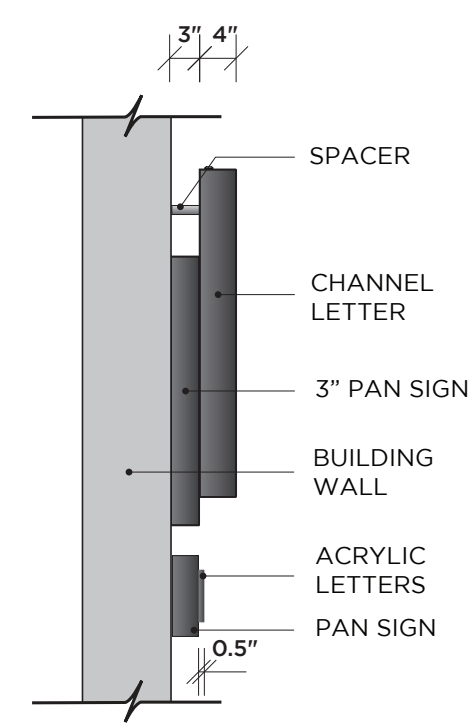
RETURN COLOR:

- PANTONE 711 C

MEASUREMENTS



SIDE VIEW





**BIG MOUTH SIGNS**

*"We Help Your Business Get Noticed"*

40 Rockbridge Rd, Suite 200,  
Lilburn, GA 30047

☎ 770-381-9300 🌐 BigMouthSigns.com

DESIGNER: Jaynie Heart

EMAIL: jaynie@bigmouthsigns.com

PROJECT MANAGER: Austin Robb

EMAIL: austin@bigmouthsigns.com

**Description:**  
Unlit Aluminum blade sign.

**Note:**  
The enclosed images and layout are the exclusive property of big mouth signs and can not be reproduced, Distributed or Altered in any way without the express permission of Big Mouth Signs under the penalty of intellectual property rights agreement.

The colors listed and shown here are representations of Pantone matching system. Colors will vary between devices and printers. Use a Pantone color book to view the actual colors that are represented in this document.

**Proof Approval**

**Approved (OK as is)**

**Editing Needed**

X \_\_\_\_\_  
\_\_\_\_\_

**No production will begin without a signed and dated copy of this document**

MOCKUP



FRONT VIEW BY DAY



PERSPECTIVE



FACE COLORS:



PANTONE 711 C



CMYK 1/1/9/0



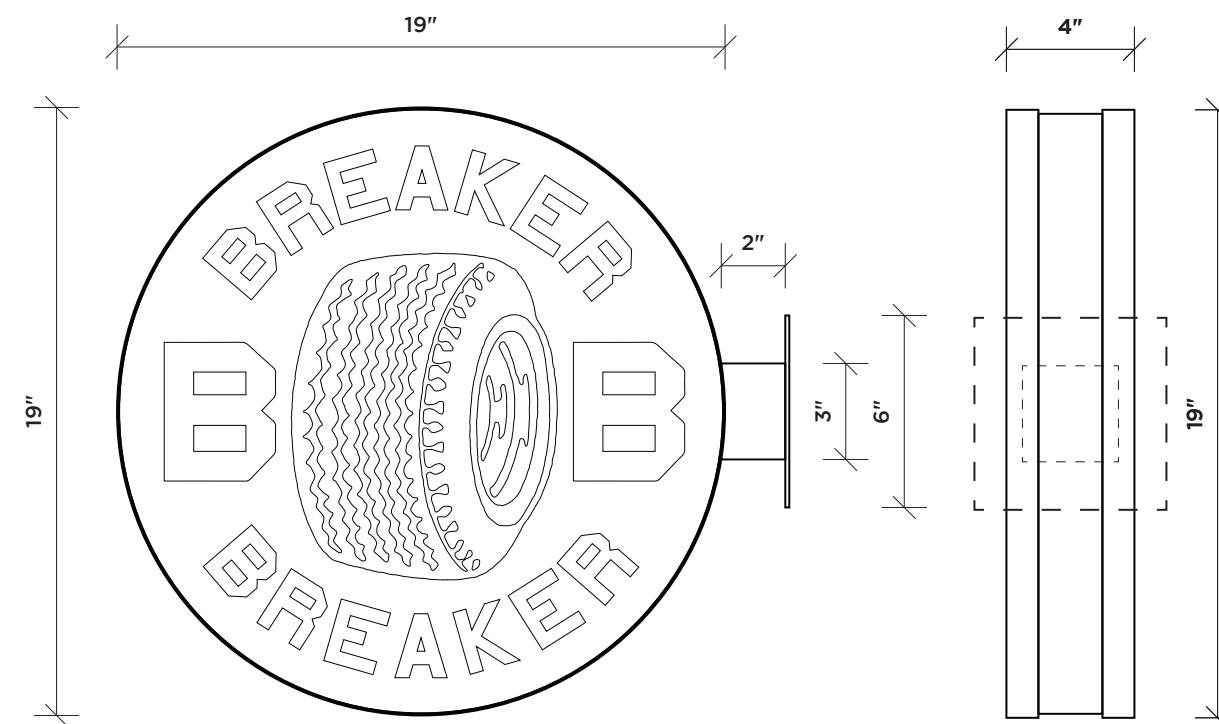
PANTONE 2767 C

RETURN COLOR:



PANTONE 2767 C

MEASUREMENTS





**BIG MOUTH SIGNS**

*"We Help Your Business Get Noticed"*

40 Rockbridge Rd, Suite 200,  
Lilburn, GA 30047

☎ 770-381-9300 🌐 BigMouthSigns.com

DESIGNER: Jaynie Heart

EMAIL: jaynie@bigmouthsigns.com

PROJECT MANAGER: Austin Robb

EMAIL: austin@bigmouthsigns.com

**Description:**  
Unlit Aluminum blade sign.

**Note:**  
The enclosed images and layout are the exclusive property of big mouth signs and can not be reproduced, Distributed or Altered in any way without the express permission of Big Mouth Signs under the penalty of intellectual property rights agreement.

The colors listed and shown here are representations of Pantone matching system. Colors will vary between devices and printers. Use a Pantone color book to view the actual colors that are represented in this document.

**Proof Approval**

**Approved (OK as is)**

**Editing Needed**

X \_\_\_\_\_  
\_\_\_\_\_

**No production will begin without a signed and dated copy of this document**

**MOCKUP**



**FRONT VIEW**



**PERSPECTIVE**



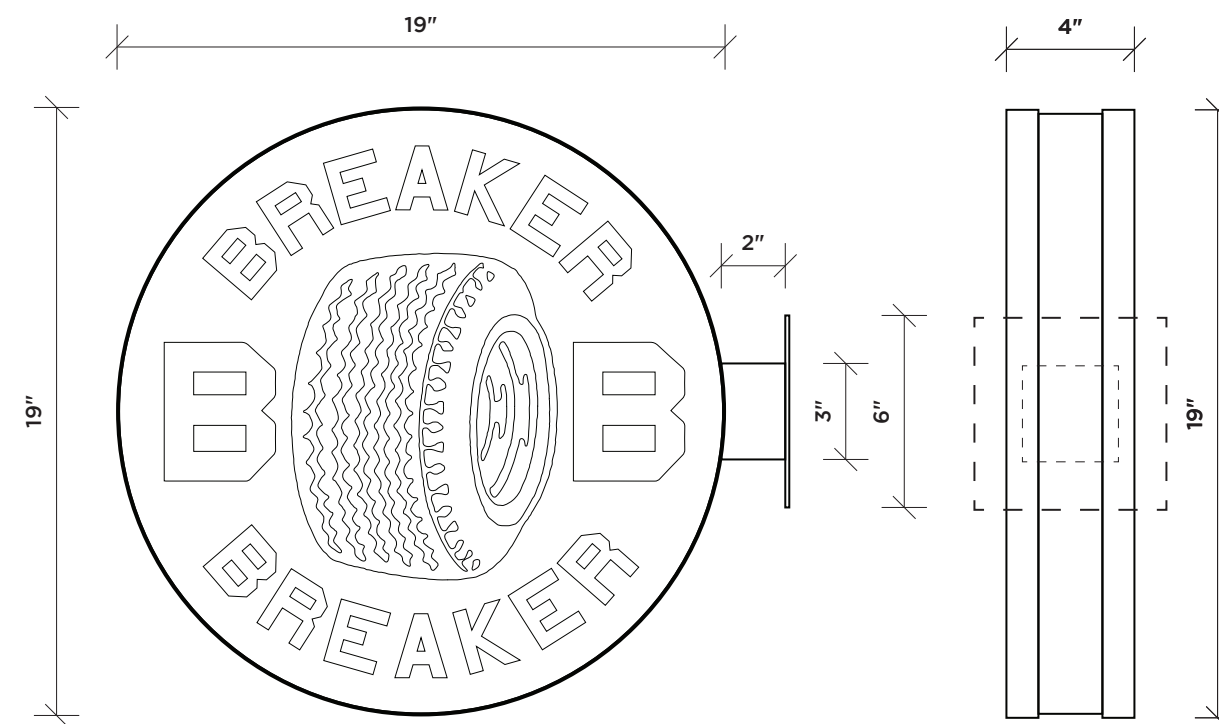
**FACE COLORS:**

■ PANTONE 711 C      □ CMYK 1/1/9/0      ■ PANTONE 2767 C

**RETURN COLOR:**

■ PANTONE 2767 C

**MEASUREMENTS**





**BIG MOUTH SIGNS**

*"We Help Your Business Get Noticed"*

40 Rockbridge Rd, Suite 200,  
Lilburn, GA 30047

☎ 770-381-9300 🌐 BigMouthSigns.com

DESIGNER: Jaynie Heart

EMAIL: jaynie@bigmouthsigns.com

PROJECT MANAGER: Austin Robb

EMAIL: austin@bigmouthsigns.com

**Description:**

Aluminum lit blade sign.

**Note:**

The enclosed images and layout are the exclusive property of big mouth signs and can not be reproduced, Distributed or Altered in any way without the express permission of Big Mouth Signs under the penalty of intellectual property rights agreement.

The colors listed and shown here are representations of Pantone matching system. Colors will vary between devices and printers. Use a Pantone color book to view the actual colors that are represented in this document.

**Proof Approval**

**Approved (OK as is)**

**Editing Needed**

X \_\_\_\_\_  
\_\_\_\_\_

**No production will begin without a signed and dated copy of this document**

MOCKUP BY DAY



FRONT VIEW BY DAY



PERSPECTIVE BY DAY



DETAIL BY NIGHT



**FACE COLORS:**

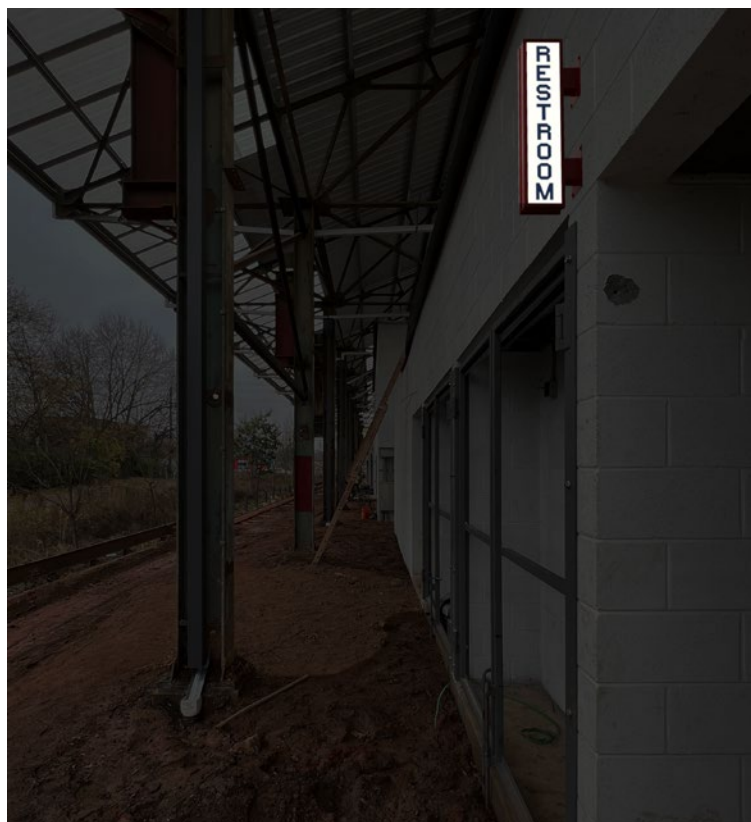
 PANTONE 2767 C

 CMYK 1/1/9/0

**RETURN COLOR:**

 PANTONE 711 C

MOCKUP BY NIGHT



MEASUREMENTS

