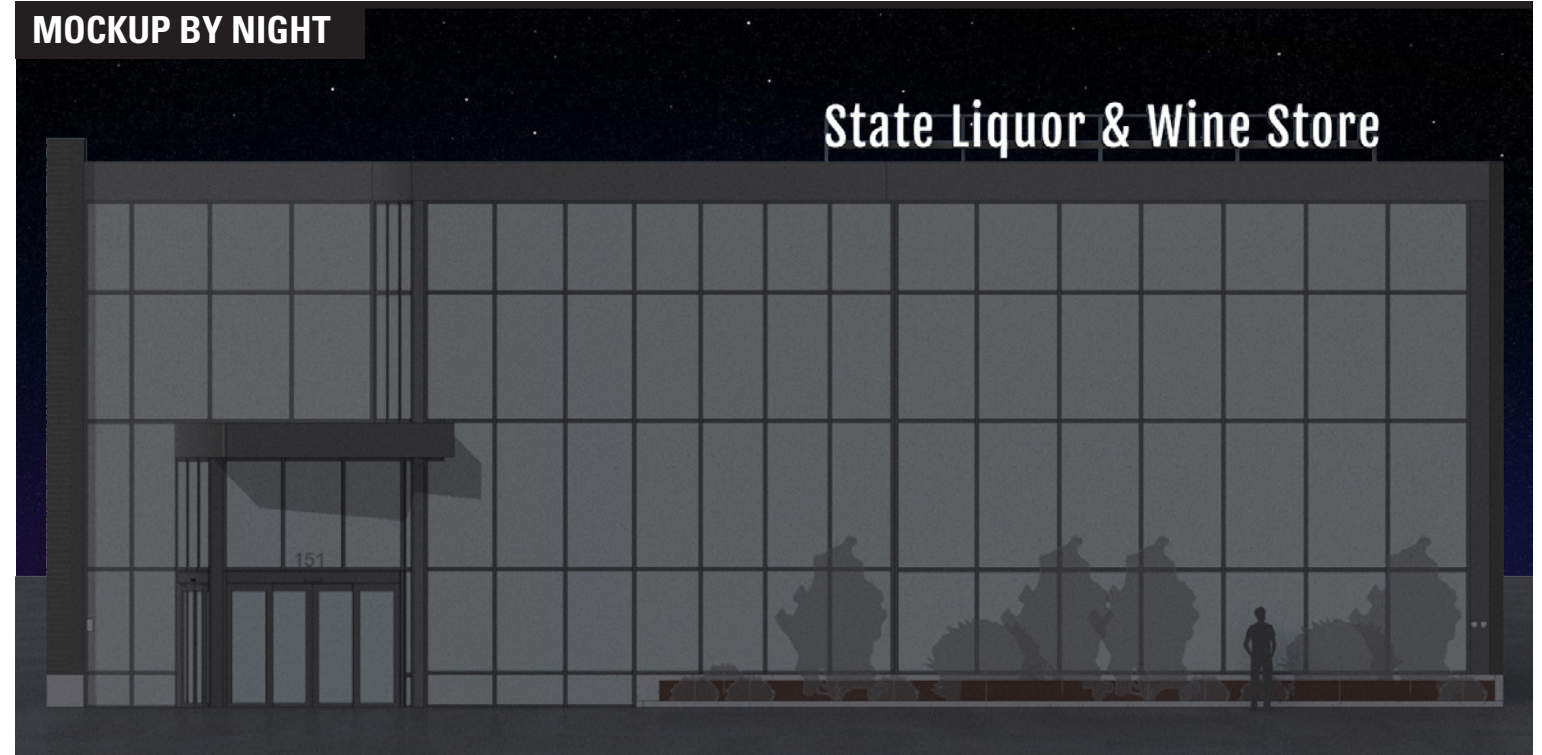


OVERVIEW

MOCKUP BY DAY



MOCKUP BY NIGHT



FRONT VIEW BY DAY



PERSPECTIVE BY NIGHT



1060 East Tabernacle  
St. George, UT 84770  
435.628.7806  
www.starsignonline.com

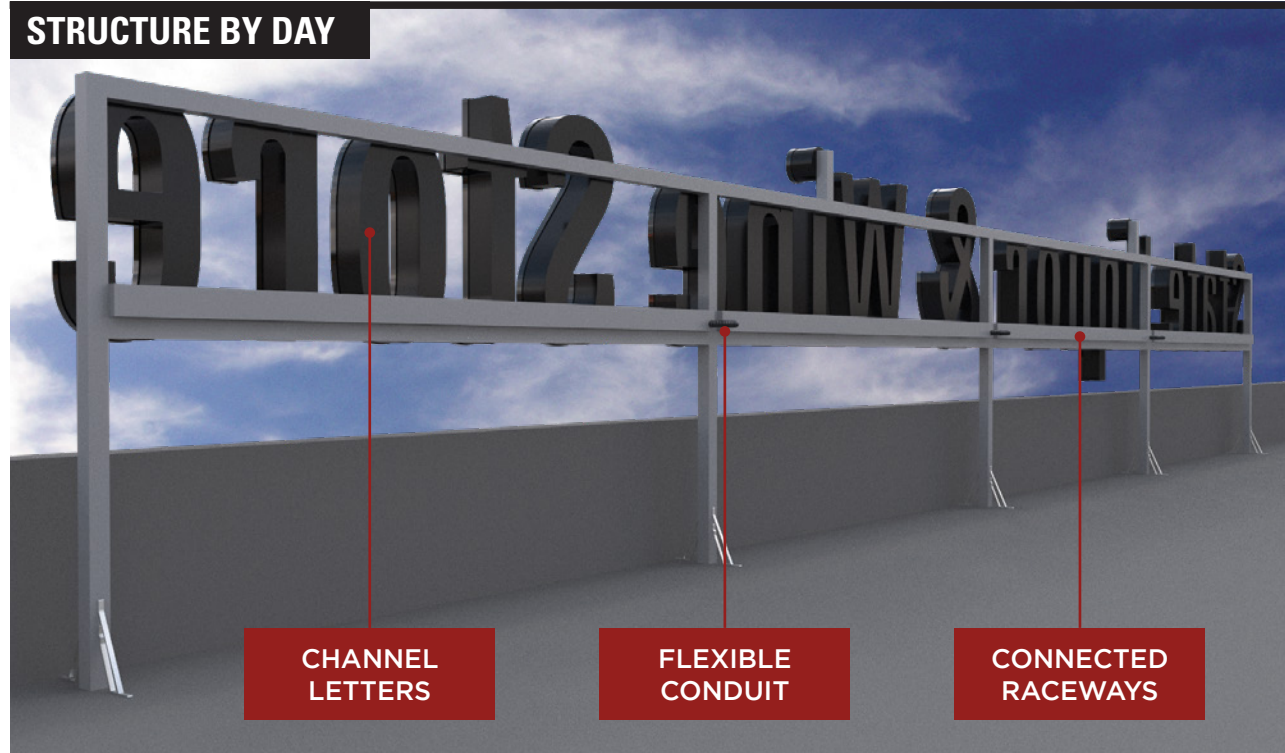
CLIENT NAME  
LAYTON CONSTRUCTION  
PROJECT  
8902

PROJECT MANAGER  
JUSTIN FREDERICK  
DESIGNER  
TSP

INFO  
STAR SIGN WILL PROVIDE ONLY LETTERS AND RACEWAY, THE CONTRACTOR  
IS RESPONSIBLE FOR THE STRUCTURE SUPPORTING THE LETTERS  
**FACE LIT CHANNEL LETTERS  
WITH RACEWAY**



STRUCTURE BY DAY



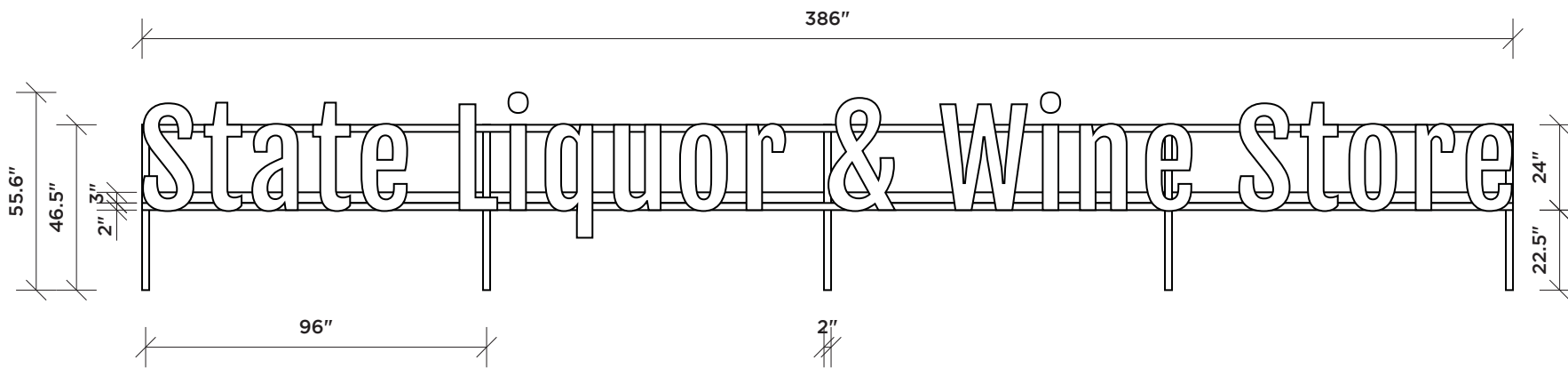
LETTERS DETAIL BY DAY



RACEWAY DETAIL BY DAY



MEASUREMENTS  
SCALE 1:48



FACE COLOR



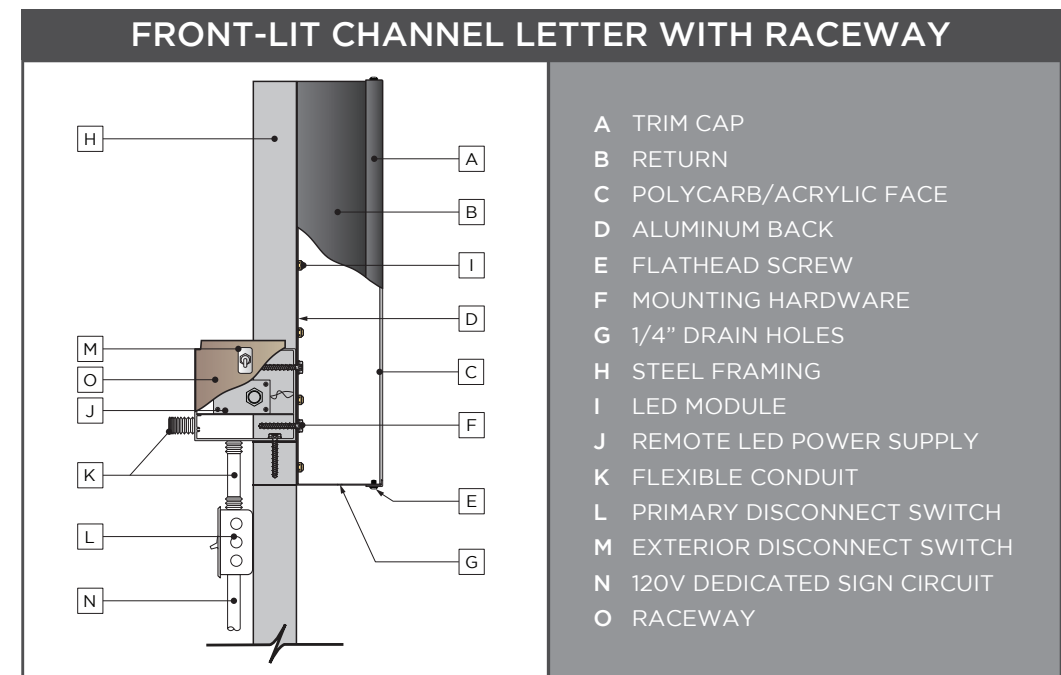
TRIM & RETURN COLORS



RACEWAY COLOR



SECTION VIEW



1060 East Tabernacle  
St. George, UT 84770  
435.628.7806  
www.starsignonline.com

CLIENT NAME  
LAYTON CONSTRUCTION  
PROJECT  
8902

PROJECT MANAGER  
JUSTIN FREDERICK  
DESIGNER  
TSP

INFO  
STAR SIGN WILL PROVIDE ONLY LETTERS AND RACEWAY, THE CONTRACTOR IS RESPONSIBLE FOR THE STRUCTURE SUPPORTING THE LETTERS

FACE LIT CHANNEL LETTERS  
WITH RACEWAY

SHEET

2